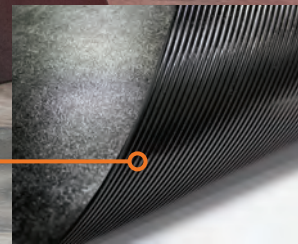


# NEXT LEVEL FLOOR GEAR

E.S.: PROBERBIRNS<sup>®</sup>



NO SPIKES!

MADE IN USA

ULTIMATE GAME ZONE  
ALL-PURPOSE MAT PROTECTS  
HARD FLOORS AS WELL AS CARPET  
FROM WEAR AND TEAR

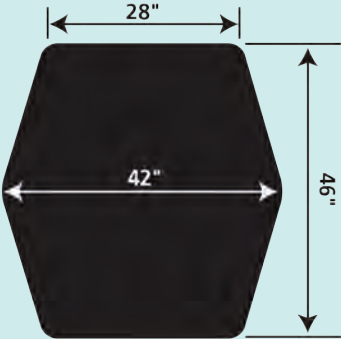
Take your gaming arena to the next level with the Ultimate Game Zone chair mat by ES ROBBINS. Cutting edge style and function combine to create the latest in floor protection gear.

Whether your setup is on hard floor or carpet, the hybrid vinyl grip system has you covered. Upgrade your gaming experience with a smooth rolling surface while protecting your floors from scuffs, scrapes and spills.

- Unique shape fits compact setups and advanced gaming environments
- Angular design provides maximum space utilization
- Hybrid vinyl grip technology
- GREENGUARD Gold certified for low chemical emissions to UL 2818
- Limited Lifetime "No Crack Mat" Warranty
- Made in USA



FOR CARPET OR HARD FLOORS



**GAME ZONE CHAIR MAT (BLACK)**

PART NUMBER	SIZE (WXD)	SHAPE	APPLICATION	EDGE	BACKING	SHIPPING WEIGHT (LBS)
*121562	42" x 46"	Hexagon	Medium Pile & HF - Heavy Use	Straight	Fluted	11
**121563	42" x 46"	Hexagon	Medium Pile & HF - Heavy Use	Straight	Fluted	10

**mrl** ES ROBBINS virtual binder is now on MyResourceLibrary.com

\*Flat pack  
\*\*Roll pack